

 Digital Signage

## melford **OUTDOOR ADVERTISING DISPLAY**

49" outdoor advertising display - high brightness, mounted, tablet-style display ideal for any weather conditions

Designed for outdoor, 24/7 usage

Sunlight readable display with anti-reflective glass

IP65 rated for weather protection

IK10 rated to withstand tampering and damage

Integrated Android media player

Free lockable wall mount

### ADDITIONAL FEATURES



Weatherproof design



Ambient light sensor



Giant tablet styling



Customisation available



Internal locker



Advanced temperature control system



Plug and play



Optional network upgrade

[melfordtechnologies.com](http://melfordtechnologies.com)



Presenting the  
Melford Outdoor  
Advertising Display  
range

melford



2,000 CD/M<sup>2</sup>  
SUNLIGHT READABLE



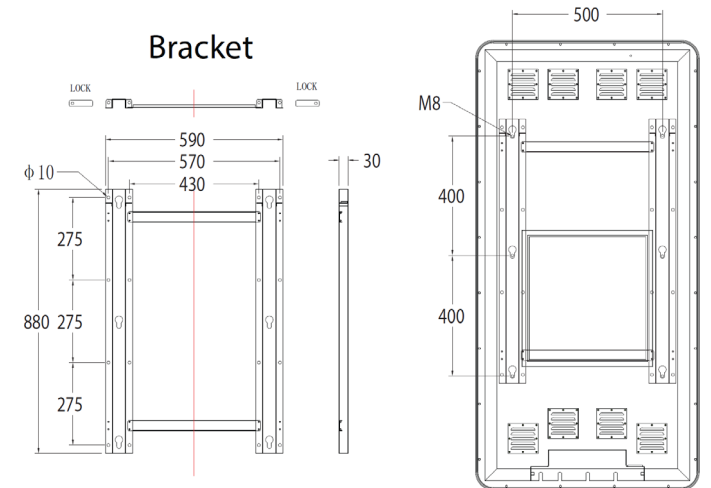
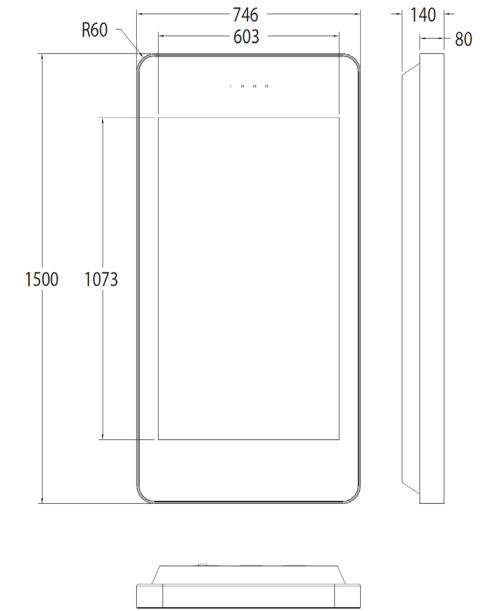
IP65 RATED



IK10 RATED



GIANT TABLET STYLING



PLUG AND PLAY



OPTIONAL NETWORK UPGRADE



24/7 USAGE



LANDSCAPE OR PORTRAIT ORIENTATION



melford

## 49 Inch

Panel	Resolution	1920 x 1080
	Display Area (mm)	1073 x 603
	Aspect Ratio	16:9
	Brightness (cd/m <sup>2</sup> )	2500
	Colour	16.7M
	Viewing Angle	178°
	Contrast Ratio	8000:1
AV Inputs	Video	HDMI, VGA
Power	Power Consumption (W)	300
	Input Voltage	AC110~240V (50Hz~60Hz)
Mechanical	Unit Size (WxHxD mm)	1500 x 746 x 140
	Package Size (WxHxD mm)	1630 x 900 x 300
	VESA Holes (mm)	500 x 800
	Net Weight (kg)	82
	Gross Weight (kg)	101
	IK Rating	IK10
Environmental	Operating Temperature	-20°C to 50°C
	Operating Humidity	10% to 80%
	Storage Temperature	-30°C to 60°C
	Storage Humidity	5% to 90%
	Enclosure Protection	IP65
Computer	Media Formats	Video (MPG, AVI, MP4, RM, RMVB, TS), Audio (MP3, WMA), Image (JPG, GIF, BMP, PNG)
	Media Resolution	1920 x 1080 / 1080 x 1920
	Internal Memory	6GB
	CPU	Quad-Core Cortex-A17@1.61GHz
	GPU	Mali-T760 MP4 @600MHz
	RAM	2GB DDR3
	Internal Storage	8GB NAND
	USB	USB2.0 HOST (x2)
	LAN	10/100/1000Mb/s Ethernet
	Wi-Fi	802.11b/g/n/ac
	OS	Android 5.1.1
	Graphic Engine	OpenGL ES 1.1/2.0/3.0/3.1, OpenCL 1.1, Renderscript, Direct3D 11.1
	Accessories	Included
Optional		Touch Screen Upgrade, Network Upgrade, Camera
Warranty	Warranty Period	3 Year Warranty
	Technical Support	Lifetime

### Why Melford?

Melford Technologies have been offering innovative technology solutions for over 50 years.

We provide experienced professional design, project planning, configuration, deployment, and maintenance services for a full one stop shop.

We can assist with the design and manufacture of your digital signage solution from the blank piece of paper at the initial meeting through to installation and post-sales support.

### Contact Us

+44 (0)1494 638 069

info@melfordtechnologies.com

melfordtechnologies.com

